



LAUNDRY TUB INSET

45LITRE

BOSS-S-SDLT45

600x500X180mm

1.2mm Thickness

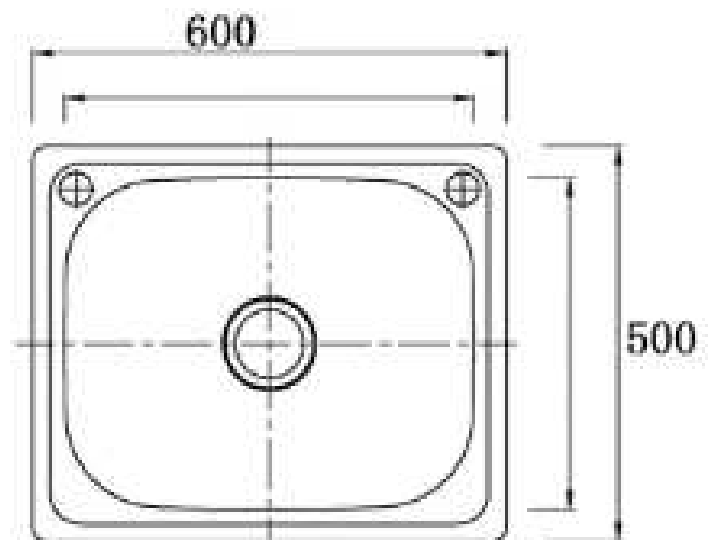
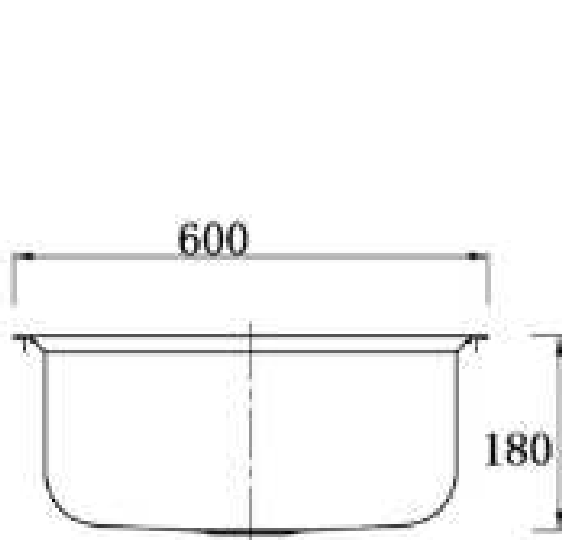
1 Bowl

304 Grade stainless steel

Rubber seals included

basket waste included

1 YEAR WARRANTY



Note: please use actual product measurement for cut outs as the manufacturers template is a guide only and may differ from the actual product over time.

Unit 1, 403 Great Western Highway, Wentworthville NSW 2145 T 02 9840 1777 F 02 9840 1711 W www.srlsps.com.au ABN 97 099 083 084 ACN 099 083 084